

TRANSPARENT

POWERBANK 6

Owner's Manual

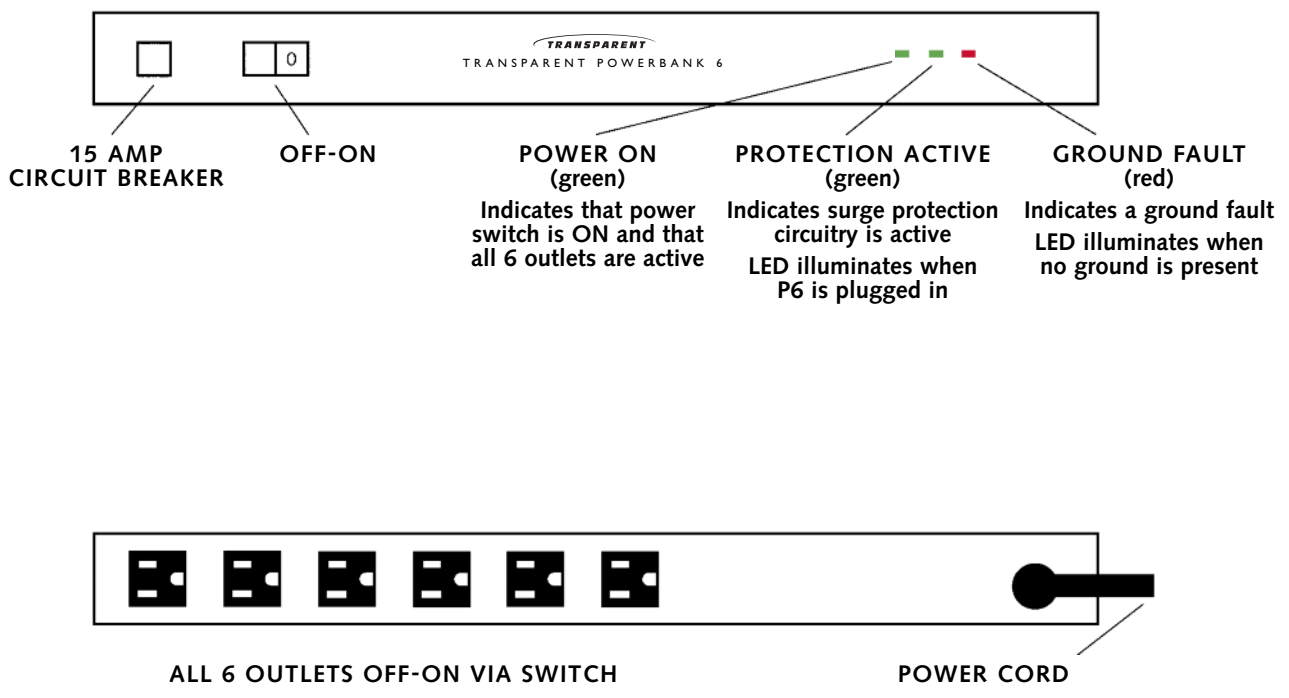
Thank you for purchasing the Transparent PowerBank 6 (we call it P6 for short). With this product you will find new enjoyment from your music and film systems. We certainly have!

The PowerBank 6 is one of the finest surge protection power strips available. It features the security of surge protection without any of the performance drawbacks normally associated with surge protectors. Your new P6 has 6 high current, grounded outlets. Transparent PowerLink power cords provide additional filtering and isolation when used with the P6. Transparent power products effectively isolate components, remove line noise and modulation distortion, and suppress spikes and surges without the use of transformers, chokes or other series filtering devices which limit current capability and add distortions. These unique products are the most transparent way to clean up the power going into your high end audio and video components for cleaner sound and picture coming out.

All Transparent Power Products have a limited two year warranty on parts and labor. This warranty is also extendable to five years to the original owner. Please consult your warranty card for details.

WARNING

The PowerBank 6 must be used with the correct voltage to avoid damage to the unit and associated equipment. Please read the instruction manual carefully before operating your PowerBank 6.



INSTRUCTIONS AND NOTES

- 1** Before plugging in the P6, be sure that it has the correct voltage for your application. The voltage is marked on the packaging as well as on the unit itself. Use of the P6 with incorrect voltage can result in an unsafe condition and cause damage to the unit and your equipment. **Damage resulting from the use of the unit with improper voltage is not covered by the warranty.**
- 2** Plug the P6 directly into a grounded wall outlet. For best results, do not plug the P6 into an extension cord or other power conditioning devices. The power cord is approximately 2 meters long.
- 3** The ON-OFF toggle switch is marked with a **0** for off and a **I** for on. When the switch is in the **ON** position the green LED labeled **POWER ON** will illuminate to indicate power to all 6 outlets.
- 4** If the P6 is plugged into a non-grounded outlet the red **LINE FAULT** LED will light. The P6 must be plugged into a grounded outlet to provide common-mode surge protection.
- 5** All 6 outlets on the P6 provide surge protection for your components. This circuitry does not add distortions or limit current to your components.
- 6** The green LED labeled **PROTECTION ACTIVE** indicates that the surge protection circuitry is functioning properly. The LED will illuminate whenever the power switch is turned on and the P6 is plugged into an active wall outlet. If the green LED does not illuminate please contact your Transparent dealer or Transparent Audio.
- 7** The 15 amp circuit breaker located on the end of the P6 protects against a potentially dangerous overload. If the circuit breaker opens during use make sure that the combined load of the components plugged into the P6 does not exceed 15 amps and that all components are functioning properly. Please contact your dealer or Transparent Audio if you need help with this.
- 8** 3-to-2 prong adaptors or “cheater plugs” are often used to defeat undesirable ground loops. Do not use these devices on the P6 power cord. If such adaptors are necessary to prevent hum, use them only on the power cords of the components causing the hum at the point where they plug into the P6.

TRANSPARENT AUDIO CONNECTED EQUIPMENT WARRANTY

During the warranty period applicable to a Transparent surge protection device (2 years from date of purchase extendable to 5 years upon registration) Transparent will pay to repair or, at its option, pay the fair market value of equipment damaged by an AC power surge or lightning surge on the AC power line, on the following terms and conditions:

The connected equipment must be used and connected to the Transparent surge protection device in accordance with the instructions and warranty provisions applicable to the connected equipment, including proper grounding.

The connected equipment must be connected in accordance with the instructions provided with the Transparent surge protection device.

This warranty is for the benefit of the original purchaser of the Transparent surge protection device for non-commercial use only and is non-transferable.

This warranty is secondary to any manufacturer's warranty on the connected equipment and/or any service contract or insurance maintained by the customer that covers the loss in whole or in part.

Transparent shall, in its sole discretion, determine from the condition of the surge protector and the damaged equipment that the damage was caused by a failure of the Transparent surge protector to properly function within its design specifications.

This warranty is in lieu of all other warranties, express or implied, including implied warranty of merchantability and fitness for a particular purpose.

This warranty does not cover consequential damages, including loss of computer data.

TRANSPARENT POWER PRODUCTS

For information about other Transparent Power Products, please visit our web site.

TRANSPARENT AUDIO AND VIDEO PRODUCTS

Transparent offers a comprehensive range of products to suit the needs of everyone from music and film enthusiasts to recording and mastering professionals: interconnects and speaker cables for audio; digital audio cables; digital and analog video cables; and products for home entertainment and whole house audio installations. For more information, please visit our web site.

Transparent Analog, Digital, Video and Power Products are designed and distributed by

TRANSPARENT AUDIO, INC.

47 INDUSTRIAL PARK ROAD • SACO ME 04072 • USA • TEL (207) 284-1100 • FAX (207) 284-1101
WWW.TRANSPARENTCABLE.COM